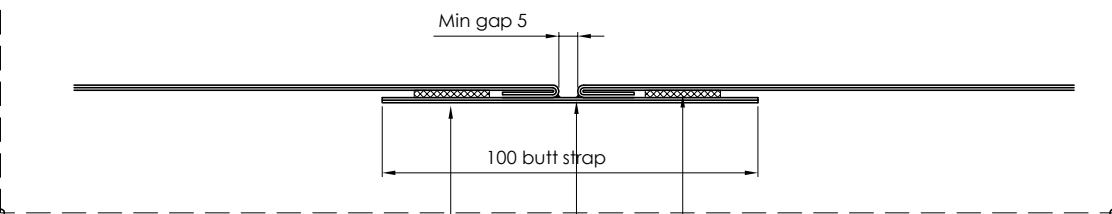


Title: MCM TYPICAL JOINT

A3

MCM membrane coated knuckle cap flashing to bottle caps to ref (K1)
mask fixing heads & butt joints to bottle cap ends.

FLASHING BUTT STRAP DETAIL OF JOINT



Centre K1 Knuckle on butt joint of bottle caps. Adjust length of bottle cap where required to avoid Knuckle being located above panel joggle joint. position intermediate Knuckles mid span of bottle cap. Max 1000.

MCM membrane coated butt strap flashing to match main flashing profile.

20x3 continuous sealant strip either side of butt joint.

Continuous run of seam sealant (caulking) down butt joint to both edges. Colour to match flashing membrane colour.

MCM membrane coated bottle cap flashing ref (B1) to panel profile crown laps. Length 2000.

MCM single skin membrane coated panels. Colour 'Lead Grey' appearance.

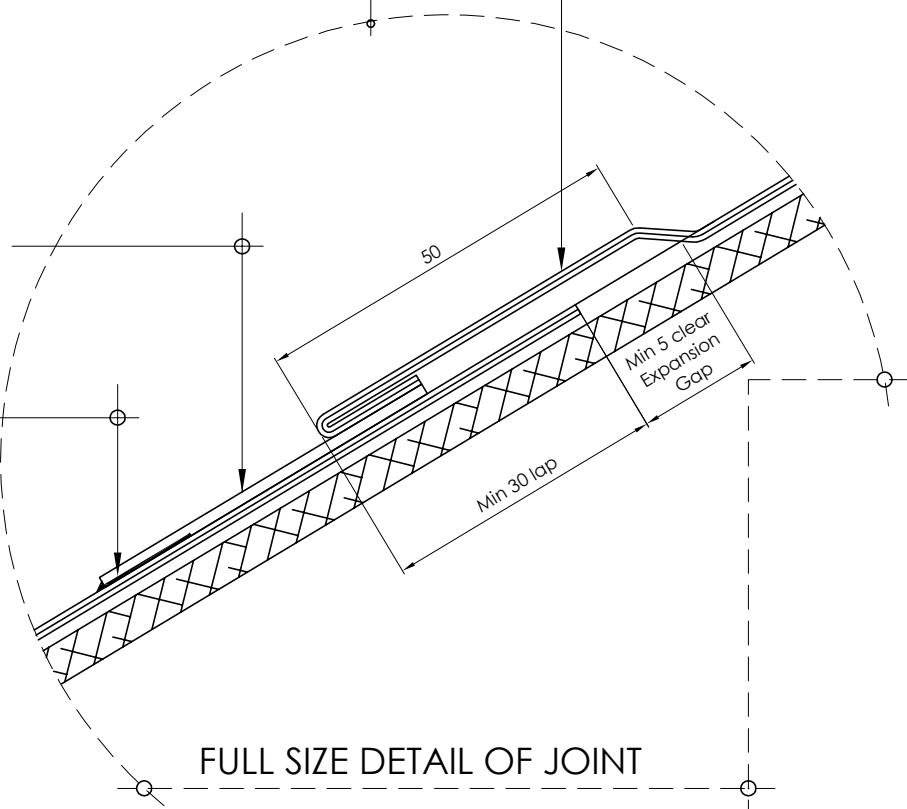
Equal (Max 1000)

50mm Strip of membrane factory welded to joggle

Heat Weld

Factory formed joggle

180g Fleece laid on top of Existing T & G Boards



FULL SIZE DETAIL OF JOINT

Scale 1:2

TYPICAL JOINT DETAIL (ENDLAP)



MCM Sales & Design
Europa House
Barcroft Street
Bury
BL9 5BT
Tel: 0044 (0)161 447 8976
Fax: 0044 (0)161 763 4982
email: --

Drawing No:	Revision
MCM-ST-03	A